

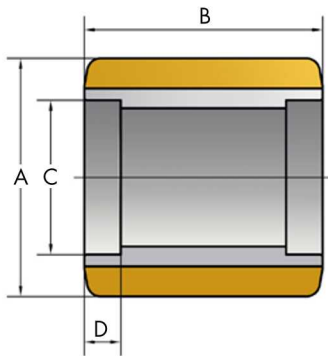
## Enquiry Form - Pallet Rollers

Please email to: [enquiries@teponline.co.uk](mailto:enquiries@teponline.co.uk)

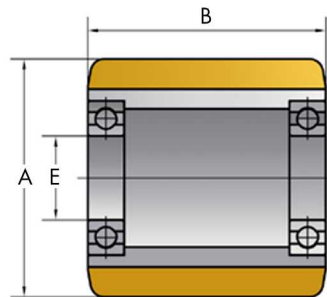


Please send me an offer for:

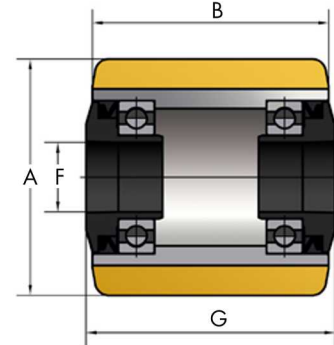
Pallet roller \_\_\_\_\_ pieces/s



Ball bearing seats



Ball bearings



Ball bearings and seals

Bearing type / reference

Ball bearing seats  Ball bearings  Ball bearing and shields

Wheel material \* \_\_\_\_\_

\*Roller diameter (A) \_\_\_\_\_ (mm) \*Roller width (B) \_\_\_\_\_ (mm)

Bearing seat diameter (C) \_\_\_\_\_ (mm) Bearing seat depth (D) \_\_\_\_\_ (mm)

Bearing inner diameter (E) \_\_\_\_\_ (mm) \*Bore Hole diameter (F) \_\_\_\_\_ (mm)

Mounting width (G) \_\_\_\_\_ (mm) Load capacity \_\_\_\_\_ (kg)

Bearing type \_\_\_\_\_ Shield type \_\_\_\_\_

Required date \_\_\_\_\_ Original spare part No. \_\_\_\_\_

Conditions/other \_\_\_\_\_  
(speed, surface conditions, temperature etc.)

\* Company name \_\_\_\_\_

Customer number \_\_\_\_\_ (if applicable/if known) Job title \_\_\_\_\_

\* First name \_\_\_\_\_ \* Last name \_\_\_\_\_

\* Address \_\_\_\_\_

\* City \_\_\_\_\_ \* Postcode \_\_\_\_\_

\* Country \_\_\_\_\_ \* Phone No. \_\_\_\_\_

\* Email \_\_\_\_\_ Website \_\_\_\_\_

If available, please add a drawing or sketch to the enquiry